

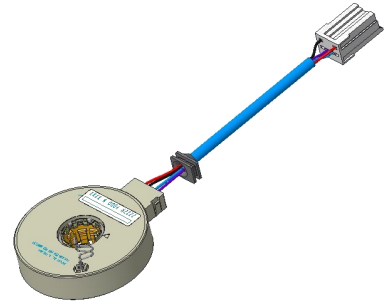
Lh3 Torque Sensor

SX-4505



Features:

- 8° torque signal sensing angle
- Ideally suited for demanding electric power steering systems
- Lead-free
- RoHS 2 compliant



Electrical Specifications

Torque signal linearity	±3%
Torque hysteresis	0.5%
Torque signal microgradient	±30% of theoretical slope over 0.4° interval
Torque signal sensing angle	±8°
Total resistance	800 Ω ±30%

Mechanical Specifications

Torque mechanical travel	±11.4°
Turning torque (rotor to rotor)	0.03 NM Max.
Turning torque (rotor to housing)	0.06 NM Max.
Weight	95 grams maximum

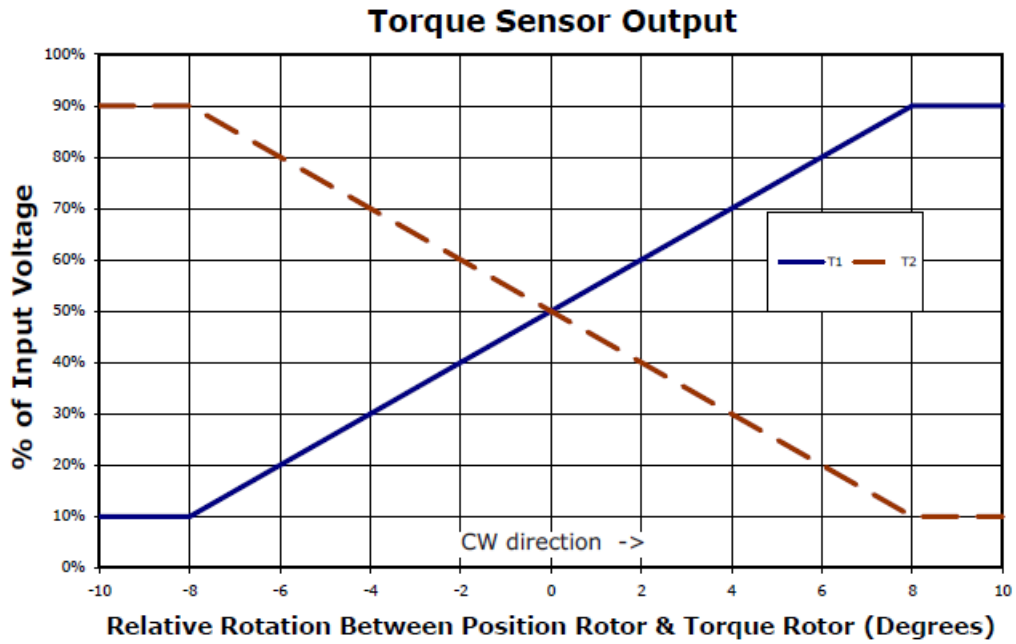
Environmental Specifications

Operating temperature range	-40°C to +85°C
Shock	14 ms half-sine at 300 m/s ²
Vibration	10 to 55 Hz with 1 mm P-P constant displacement; 120 hours each of 3 planes
Torque rotational life	1 million cycles
Storage temperature range	-40°C to +105°C

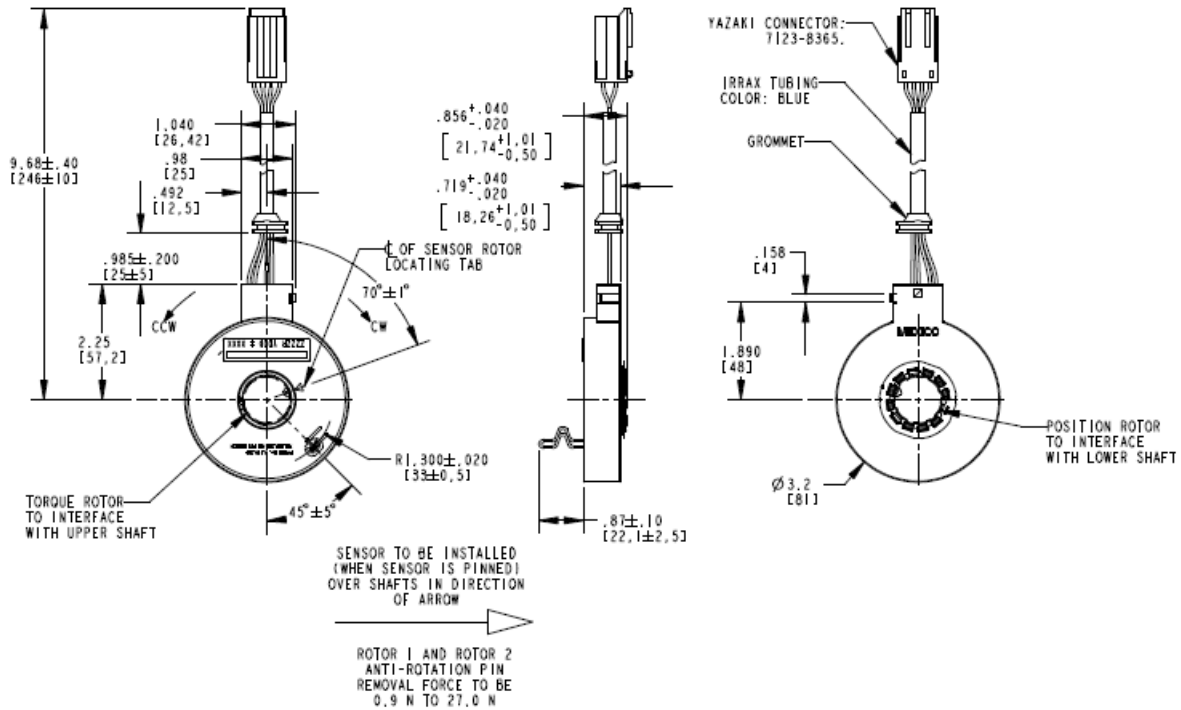
General Note
TT Electronics reserves the right to make changes in product specification without notice or liability. All information is subject to TT Electronics' own data and is considered accurate at time of going to print.

TT Electronics | BI Technologies
Circulo de la Amistad #102 PIMSA IV Mexicali B.C. Mexico C.P 21210
Ph: + 1 (714) 447-2345
www.ttelectronics.com/bi-technologies

Output Chart



Outline Drawing



Pinouts

PIN OUTS-6 PIN CONNECTOR			
YAZAKI 7122-8365			
2			1
6	5	4	3

(PIN No.'S ARE INDICATED AS WIRES ENTER CONNECTOR END)

PIN No.	SIGNAL	WIRE COLOR
1	Vcc	RED
2	GND	BLACK
3	N/A	- - -
4	T1	BLUE
5	T2	PURPLE
6	N/A	- - -

Barcode Label

